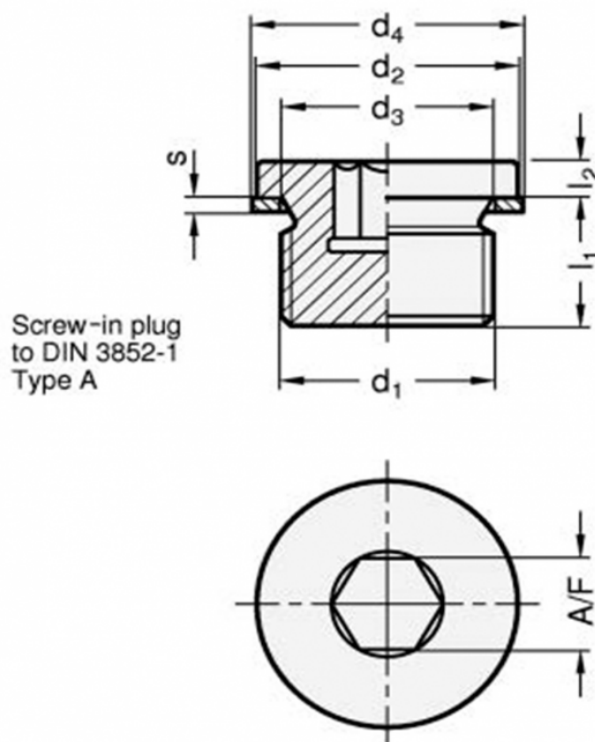


Article number: 20908STM482AA

Description: E+G Threaded plug DIN 908-ST-M48x2-AA

Measures



A/F = 24

d1 = M48x2

d2h14 = 55

d3 = 48.3

d4 = 55

l1 = 16

l2 = 5

s = 2

Weight in (g) = 240